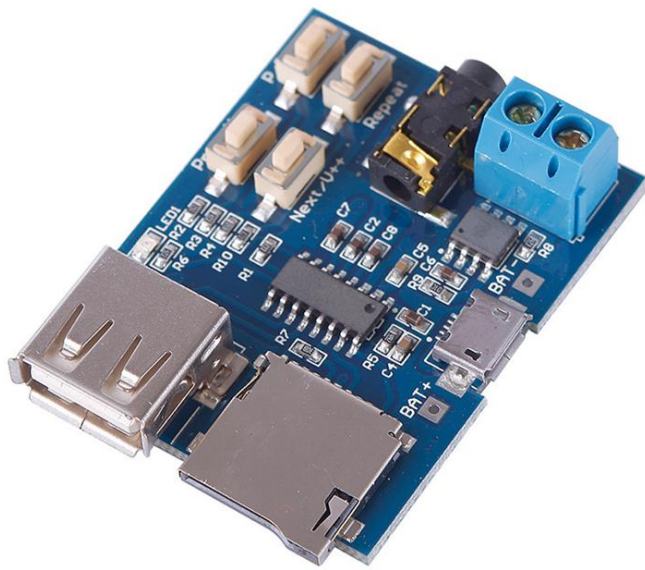




## GPD2856 USB and microSD Card MP3 Player

This MP3 decoder board can play MP3 files from a USB flash drive or from a MicroSD flash memory card. The player has decent sound quality, an on-board 2W mono amplifier, and can be directly connected to a speaker. It also features a 3.5mm gold plated headphone jack that can connect headphones or an external audio amplifier.

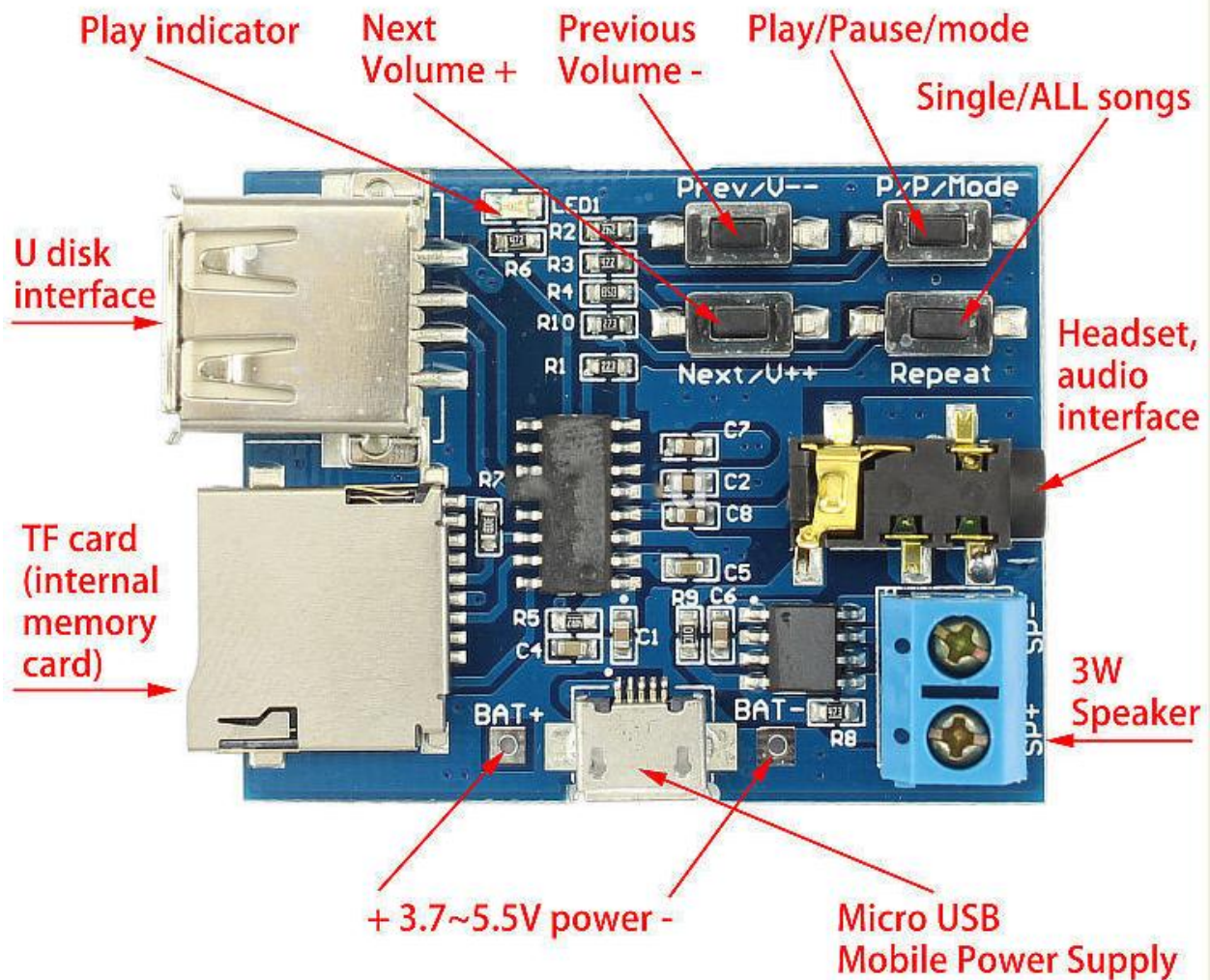


SKU: [MDU1013](#)

### Brief Features:

- Super quality, onboard 2W mono amplifier (5V supply up to 3W) directly connected to the speaker (Recommended with 4Ω/3W speakers).
- 3.5mm gold plated headphone jack can be connected to headphones or an external amplifier board.
- Power supply thru on-board MicroUSB connector. Can be powered from wall adapter or power bank.
- Support TF card (memory card in your phone), USB disk playback mode.
- Screw speaker terminals without soldering for easy connection to speakers.
- Module is designed to facilitate modification.
- Power range: 3.7 ~ 5.5V.
- Size: 45mm x 36mm.

## Functional Pin Diagram:



### Power Supply:

There is a MicroUSB port for powering the board through a standard MicroUSB (mobile phone) cable. There are also solder terminals for connecting a 3.7V lithium battery pack. The battery terminals can handle up to 5.5V DC. Power applied to the MicroUSB port can also charge the attached 3.7V lithium battery. Please note that some USB sticks require 5V minimum and will not work with the 3.7V power supply option.

### Flash Memory:

The player supports files stored on both a USB flash drive (tested up to 32GB) and a MicroSD flash card (tested up to 16GB). If both are installed, the SD card plays first, but can be overridden by the "mode" button. The tracks will load and start playing automatically upon power up. The chip appears to be able to automatically traverse through folders off of the root to find MP3 files.

### LED:

When an MP3 is playing, the red LED flashes.

### **Prev / V-- Button:**

Short Press for previous track. Long Press for volume down.

### **Next / V++ Button:**

Short Press for next track. Long Press for volume up.

### **P / P / Mode Button: Short Press for Play/Pause:**

Long Press for USB/microSD toggle.

### **Repeat Button:**

Single Track / Cycle All Tracks toggle (powers up into cycle mode).

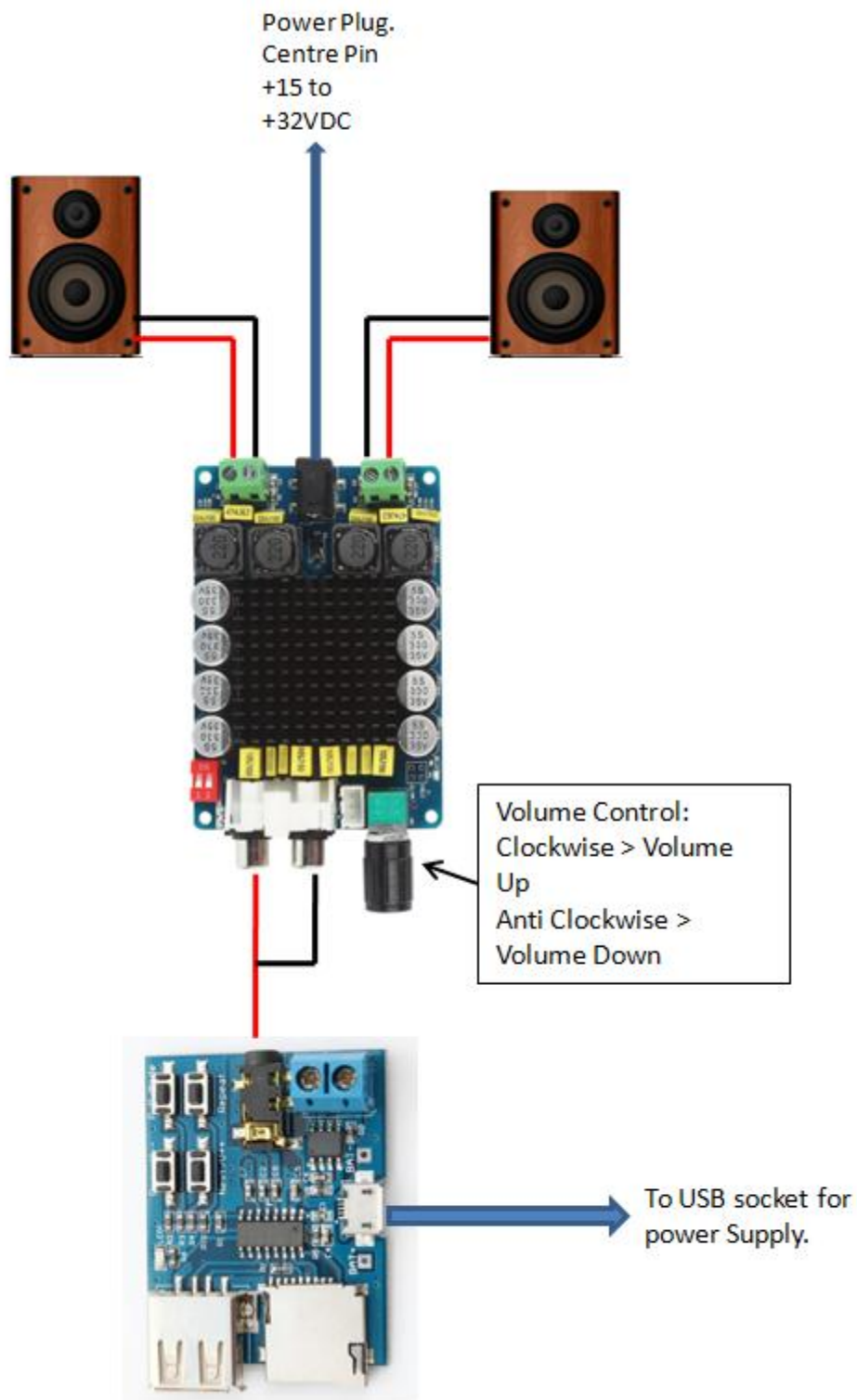
(Long Press is approximately two seconds.)

### **Web Resources:**

- [GPD2856 MP3 Player User-guide](#)
- [HTE-8020 WAV+MP3 Decoder Module](#)
- [TDA7498 2x100W Class-D Audio Amplifier Module](#)

## Connecting to External Power Amplifier:

Recommended Power Amplifier: [TDA7498MOD 2x100W Class-D Audio Amplifier](#)





# Handsontec.com

*We have the parts for your ideas*

---

HandsOn Technology provides a multimedia and interactive platform for everyone interested in electronics. From beginner to diehard, from student to lecturer. Information, education, inspiration and entertainment. Analog and digital, practical and theoretical; software and hardware.



open source  
hardware

HandsOn Technology support Open Source Hardware (OSHW) Development Platform.

*Learn : Design : Share*

*[www.handsontec.com](http://www.handsontec.com)*



The Face behind our product quality...

In a world of constant change and continuous technological development, a new or replacement product is never far away – and they all need to be tested.

Many vendors simply import and sell without checks and this cannot be the ultimate interests of anyone, particularly the customer. Every part sell on Handsotec is fully tested. So when buying from Handsotec products range, you can be confident you're getting outstanding quality and value.

We keep adding the new parts so that you can get rolling on your next project.



[www.handsontec.com](http://www.handsontec.com)

[Breakout Boards & Modules](#)



[Connectors](#)



[www.handsontec.com](http://www.handsontec.com)

[Electro-Mechanical Parts](#)



[www.handsontec.com](http://www.handsontec.com)

[Engineering Material](#)



[www.handsontec.com](http://www.handsontec.com)

[Mechanical Hardware](#)



[Electronics Components](#)

P



[www.handsontec.com](http://www.handsontec.com)

[Power Supply](#)



[Arduino Board & Shield](#)

Tools & Accessory



[www.handsontec.com](http://www.handsontec.com)

[Tools & Accessory](#)