

ASK Transmitter Module

General Description:

315/434 MHz ASK TRANSMITTER

The JMR-TX1 is an ASK Hybrid transmitter module.

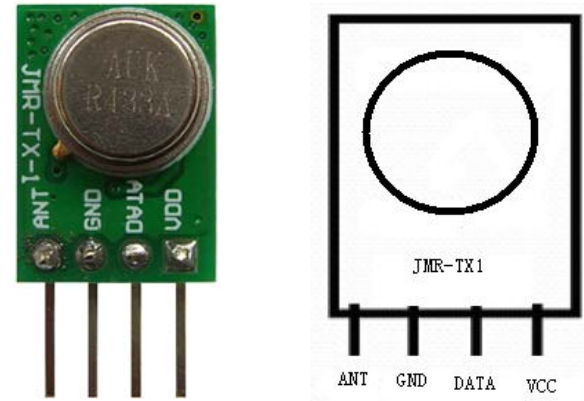
JMR-TX1 is designed by the Saw Resonator, with an effective low cost, small size, and simple-to-use for designing.

Frequency Range:315 / 433.92 MHZ.

Supply Voltage: 3~12V.

Output Power : 4~16dBm

Circuit Shape: Saw



Applications

- ⌚ Car security system
- ⌚ Remote keyless entry
- ⌚ Garage door controller
- ⌚ Home security
- ⌚ Wireless mouse
- ⌚ Automation system

Product Identification

315MHZ	JMR-TX1-315M
433.92MHZ	JMR-TX1-433M

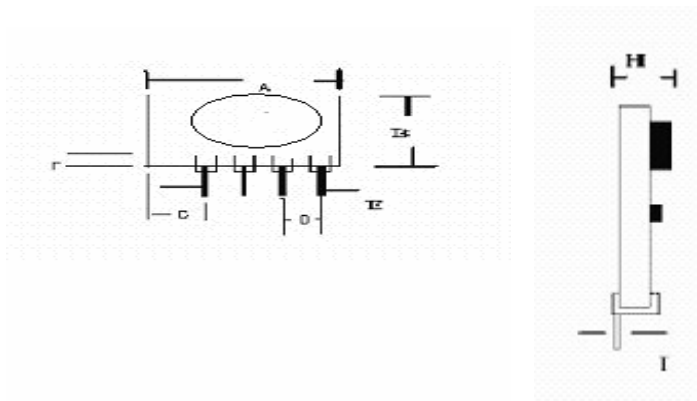
Absolute Maximum Ratings

Parameter	Rating	Rating
Supply Voltage	2.2—12.0	V DC
Operating Temperature	-20 to +85	°C

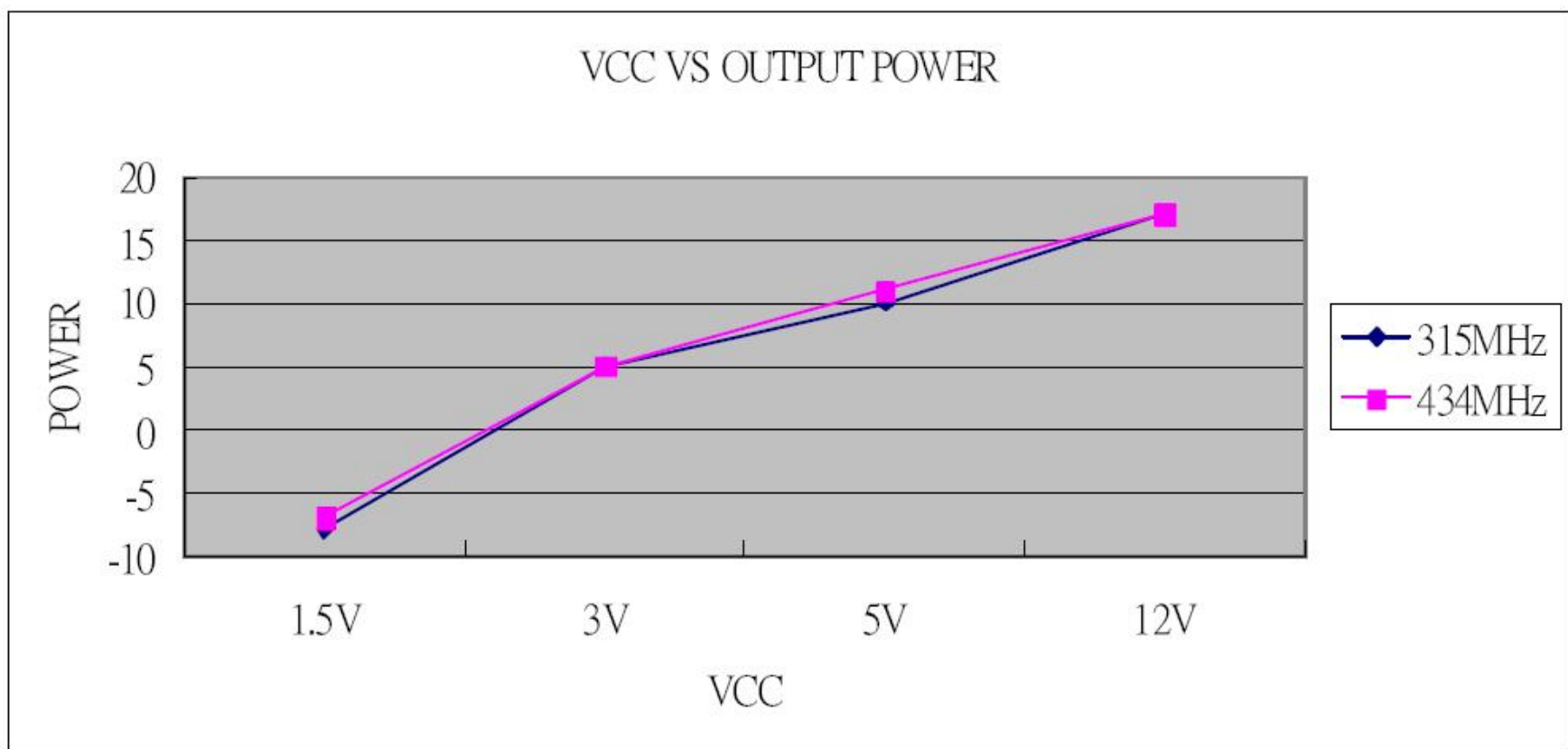
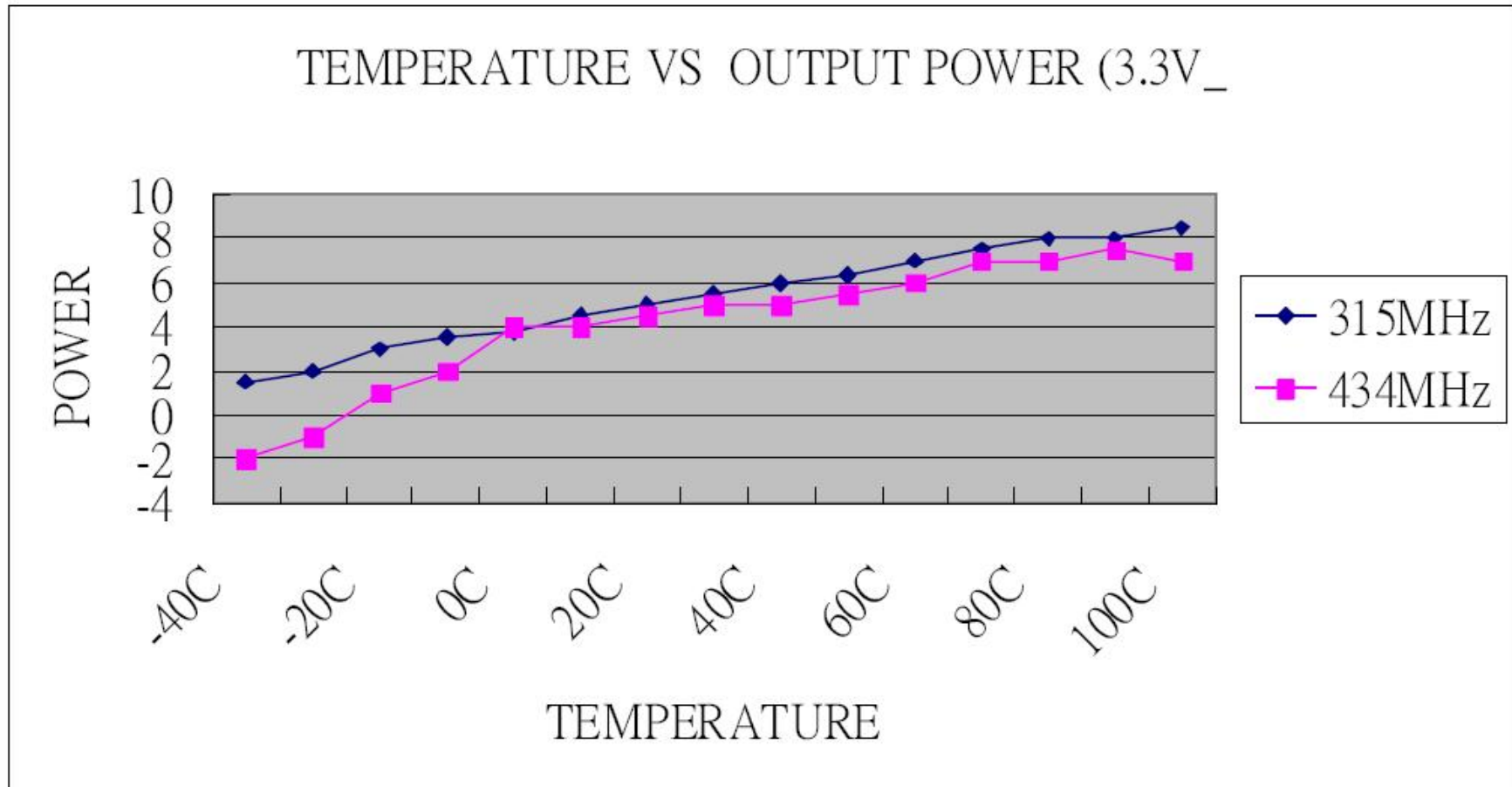
Absolute Maximum Ratings

Parameter	Symbol	Condition	Specification				Unit
			Min.	Typical		Max.	
Operation Voltage				3V	5V	12V	V
Output power	Psens	DATA 5V 1Kbps Data Rate	315MHz	4	10	16	dBm
			Supply current	11	20	57	mA
		434MHz	4	10	16	dBm	
		Supply current	11	22	59	mA	
Tune on Time	Ton	Data start out by Vcc turn on	10	20			ms
Data Rate			200	1k			bps
Input duty		Vcc=5V; 1kbps data rate	40			60	%
Temperature			-20			+80	°C

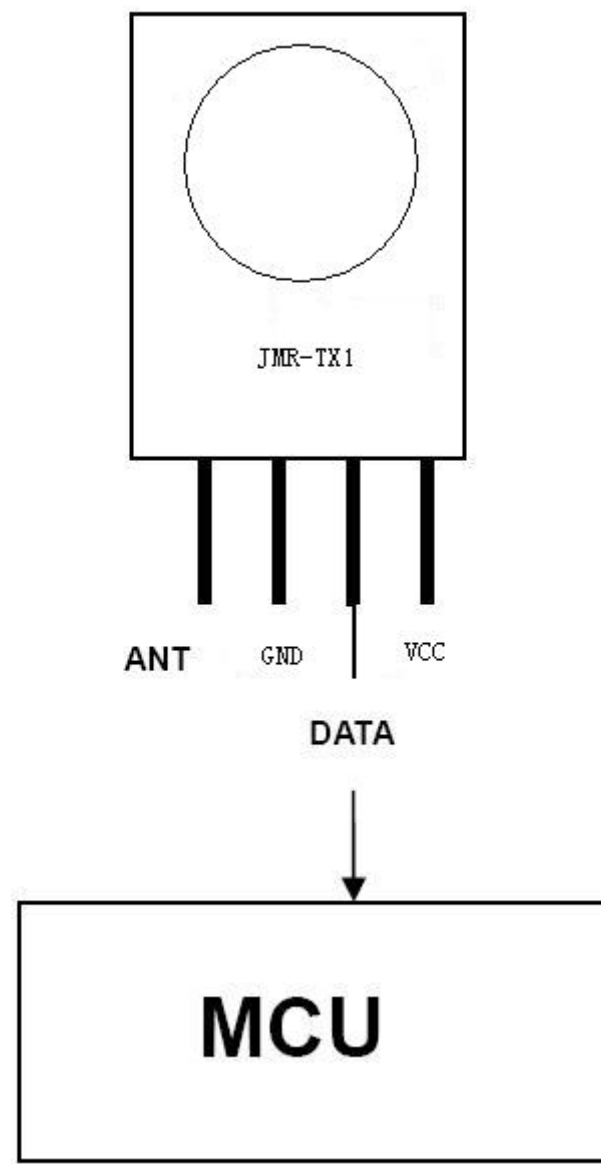
Pin Dimension



Dimensions	Millimeters	Dimensions	Millimeters
A	11+0.25mm	F	2+0.15mm
B	16+0.25mm	G	3+0.15mm
C	12+0.30mm	H	5.5mm
D	2.54+0.05mm	I	0.7+0.05mm



Typical Application:



Mark: .

Antenna length about :23cm for 315MHz

17cm for 434mHz