

ISL9V2040D3S / ISL9V2040S3S / ISL9V2040P3

EcoSPARK™ 200mJ, 400V, N-Channel Ignition IGBT

General Description

The ISL9V2040D3S, ISL9V2040S3S, and ISL9V2040P3 are the next generation ignition IGBTs that offer outstanding SCIS capability in the space saving D-Pak (TO-252), as well as the industry standard D²-Pak (TO-263) and TO-220 plastic packages. This device is intended for use in automotive ignition circuits, specifically as a coil driver. Internal diodes provide voltage clamping without the need for external components.

EcoSPARK™ devices can be custom made to specific clamp voltages. Contact your nearest Fairchild sales office for more information.

Formerly Developmental Type 49444

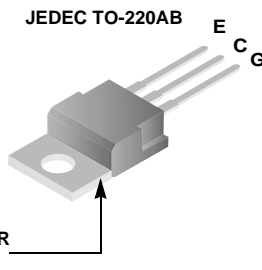
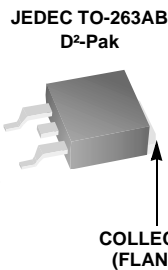
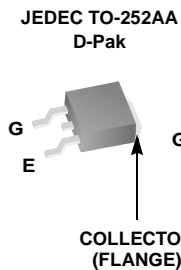
Applications

- Automotive Ignition Coil Driver Circuits
- Coil- On Plug Applications

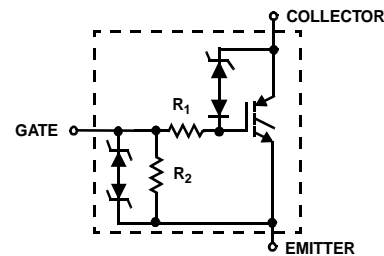
Features

- Space saving D - Pak package available
- SCIS Energy = 200mJ at T_J = 25°C
- Logic Level Gate Drive

Package



Symbol



Device Maximum Ratings T_A = 25°C unless otherwise noted

| Symbol | Parameter | Ratings | Units |
|----------------------|---|------------|-------|
| BV _{CER} | Collector to Emitter Breakdown Voltage (I _C = 1 mA) | 430 | V |
| BV _{ECS} | Emitter to Collector Voltage - Reverse Battery Condition (I _C = 10 mA) | 24 | V |
| E _{SCIS25} | At Starting T _J = 25°C, I _{SCIS} = 11.5A, L = 3.0mH | 200 | mJ |
| E _{SCIS150} | At Starting T _J = 150°C, I _{SCIS} = 8.9A, L = 3.0mH | 120 | mJ |
| I _{C25} | Collector Current Continuous, At T _C = 25°C, See Fig 9 | 10 | A |
| I _{C110} | Collector Current Continuous, At T _C = 110°C, See Fig 9 | 10 | A |
| V _{GEM} | Gate to Emitter Voltage Continuous | ±10 | V |
| P _D | Power Dissipation Total T _C = 25°C | 130 | W |
| | Power Dissipation Derating T _C > 25°C | 0.87 | W/°C |
| T _J | Operating Junction Temperature Range | -40 to 175 | °C |
| T _{STG} | Storage Junction Temperature Range | -40 to 175 | °C |
| T _L | Max Lead Temp for Soldering (Leads at 1.6mm from Case for 10s) | 300 | °C |
| T _{pkg} | Max Lead Temp for Soldering (Package Body for 10s) | 260 | °C |
| ESD | Electrostatic Discharge Voltage at 100pF, 1500Ω | 4 | kV |

Package Marking and Ordering Information

| Device Marking | Device | Package | Tape Width | Quantity |
|----------------|--------------|----------|------------|----------|
| V2040D | ISL9V2040D3S | TO-252AA | 16mm | 2500 |
| V2040S | ISL9V2040S3S | TO-263AB | 24mm | 800 |
| V2040P | ISL9V2040P3 | TO-220AB | - | - |

Electrical Characteristics $T_A = 25^\circ\text{C}$ unless otherwise noted

| Symbol | Parameter | Test Conditions | Min | Typ | Max | Units |
|--------|-----------|-----------------|-----|-----|-----|-------|
|--------|-----------|-----------------|-----|-----|-----|-------|

Off State Characteristics

| | | | | | | | |
|------------|--|--|---------------------------|----------|-----|----------|---------------|
| BV_{CER} | Collector to Emitter Breakdown Voltage | $I_C = 2\text{mA}$, $V_{GE} = 0$, $R_G = 1\text{K}\Omega$, See Fig. 15 $T_J = -40$ to 150°C | 370 | 400 | 430 | V | |
| BV_{CES} | Collector to Emitter Breakdown Voltage | $I_C = 10\text{mA}$, $V_{GE} = 0$, $R_G = 0$, See Fig. 15 $T_J = -40$ to 150°C | 390 | 420 | 450 | V | |
| BV_{ECS} | Emitter to Collector Breakdown Voltage | $I_C = -75\text{mA}$, $V_{GE} = 0\text{V}$, $T_C = 25^\circ\text{C}$ | 30 | - | - | V | |
| BV_{GES} | Gate to Emitter Breakdown Voltage | $I_{GES} = \pm 2\text{mA}$ | ± 12 | ± 14 | - | V | |
| I_{CER} | Collector to Emitter Leakage Current | $V_{CER} = 250\text{V}$, $R_G = 1\text{K}\Omega$, See Fig. 11 | $T_C = 25^\circ\text{C}$ | - | - | 25 | μA |
| | | | $T_C = 150^\circ\text{C}$ | - | - | 1 | mA |
| I_{ECS} | Emitter to Collector Leakage Current | $V_{EC} = 24\text{V}$, See Fig. 11 | $T_C = 25^\circ\text{C}$ | - | - | 1 | mA |
| | | | $T_C = 150^\circ\text{C}$ | - | - | 40 | mA |
| R_1 | Series Gate Resistance | | - | 70 | - | Ω | |
| R_2 | Gate to Emitter Resistance | | 10K | - | 26K | Ω | |

On State Characteristics

| | | | | | | | |
|---------------|---|--|--|---|------|-----|---|
| $V_{CE(SAT)}$ | Collector to Emitter Saturation Voltage | $I_C = 6\text{A}$, $V_{GE} = 4\text{V}$ | $T_C = 25^\circ\text{C}$, See Fig. 3 | - | 1.45 | 1.9 | V |
| $V_{CE(SAT)}$ | Collector to Emitter Saturation Voltage | $I_C = 10\text{A}$, $V_{GE} = 4.5\text{V}$ | $T_C = 150^\circ\text{C}$ See Fig. 4 | - | 1.95 | 2.3 | V |

Dynamic Characteristics

| | | | | | | | |
|--------------|-----------------------------------|--|---------------------------|------|---|-------------|---|
| $Q_{G(ON)}$ | Gate Charge | $I_C = 10\text{A}$, $V_{CE} = 12\text{V}$, $V_{GE} = 5\text{V}$, See Fig. 14 | - | 12 | - | nC | |
| $V_{GE(TH)}$ | Gate to Emitter Threshold Voltage | $I_C = 1.0\text{mA}$, $V_{CE} = V_{GE}$, See Fig. 10 | $T_C = 25^\circ\text{C}$ | 1.3 | - | 2.3 | V |
| | | | $T_C = 150^\circ\text{C}$ | 0.75 | - | 1.8 | V |
| V_{GEP} | Gate to Emitter Plateau Voltage | $I_C = 10\text{A}$, $V_{CE} = 12\text{V}$ | - | 3.4 | - | V | |

Switching Characteristics

| | | | | | | |
|---------------|---------------------------------------|---|---|------|-----|---------------|
| $t_{d(ON)R}$ | Current Turn-On Delay Time-Resistive | $V_{CE} = 14\text{V}$, $R_L = 1\Omega$, $V_{GE} = 5\text{V}$, $R_G = 1\text{K}\Omega$, $T_J = 25^\circ\text{C}$ | - | 0.61 | - | μs |
| t_{riseR} | Current Rise Time-Resistive | | - | 2.17 | - | μs |
| $t_{d(OFF)L}$ | Current Turn-Off Delay Time-Inductive | $V_{CE} = 300\text{V}$, $L = 500\mu\text{H}$, $V_{GE} = 5\text{V}$, $R_G = 1\text{K}\Omega$, $T_J = 25^\circ\text{C}$, See Fig. 12 | - | 3.64 | - | μs |
| t_{fL} | Current Fall Time-Inductive | | - | 2.36 | - | μs |
| SCIS | Self Clamped Inductive Switching | $T_J = 25^\circ\text{C}$, $L = 3.0\text{mH}$, $R_G = 1\text{K}\Omega$, $V_{GE} = 5\text{V}$, See Fig. 1 & 2 | - | - | 200 | mJ |

Thermal Characteristics

| | | | | | | |
|-----------------|----------------------------------|------------------------|---|---|------|--------------------|
| $R_{\theta JC}$ | Thermal Resistance Junction-Case | TO-252, TO-263, TO-220 | - | - | 1.15 | $^\circ\text{C/W}$ |
|-----------------|----------------------------------|------------------------|---|---|------|--------------------|

Typical Performance Curves (Continued)

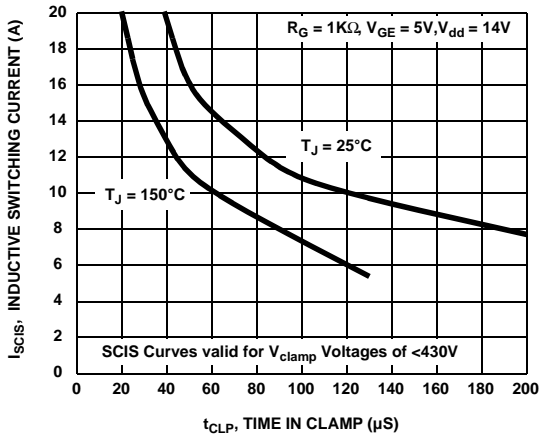


Figure 1. Self Clamped Inductive Switching Current vs Time in Clamp

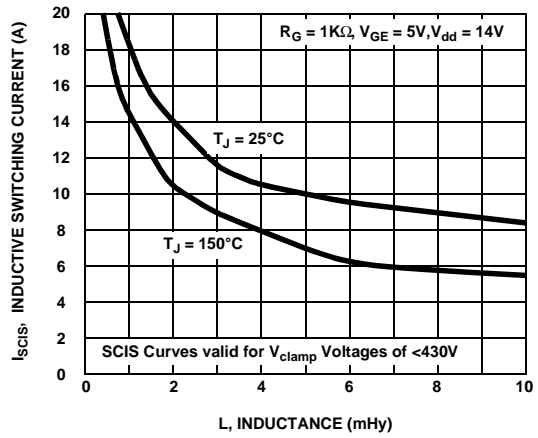


Figure 2. Self Clamped Inductive Switching Current vs Inductance

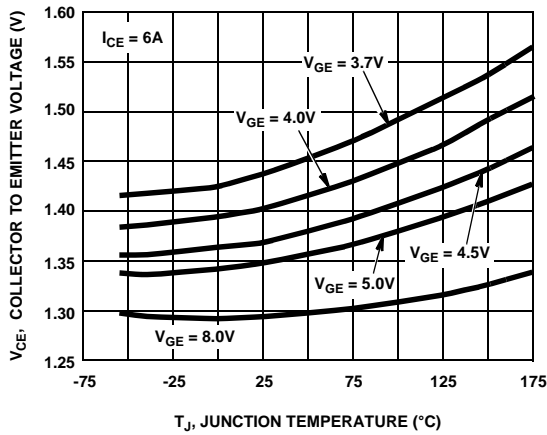


Figure 3. Collector to Emitter On-State Voltage vs Junction Temperature

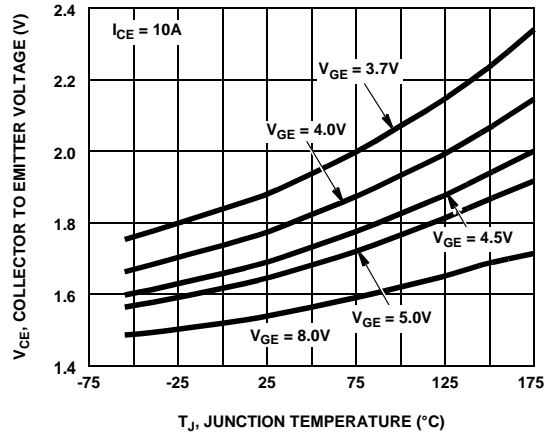


Figure 4. Collector to Emitter On-State Voltage vs Junction Temperature

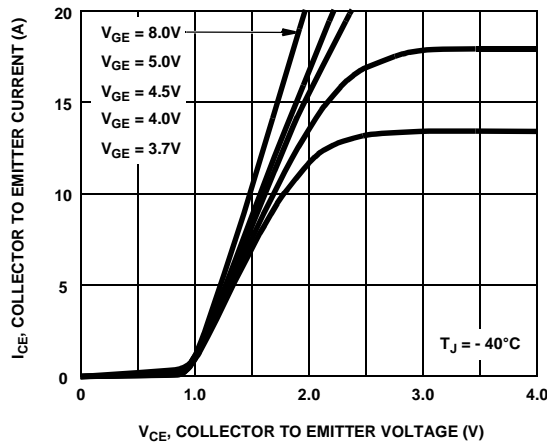


Figure 5. Collector to Emitter On-State Voltage vs Collector Current

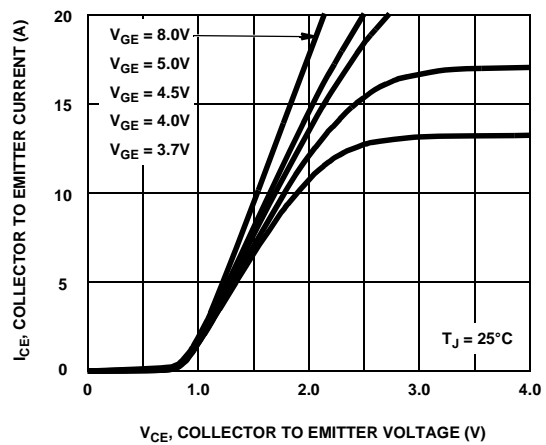


Figure 6. Collector to Emitter On-State Voltage vs Collector Current

Typical Performance Curves (Continued)

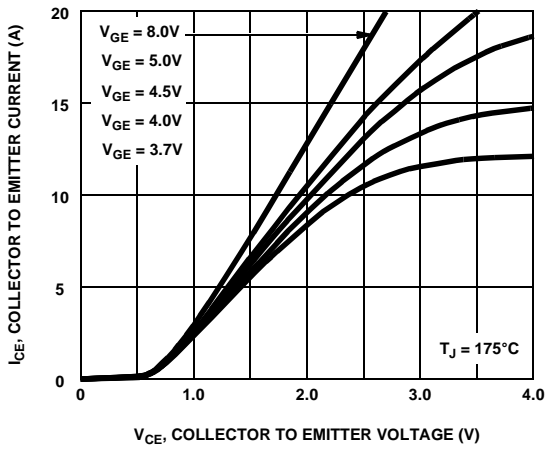


Figure 7. Collector to Emitter On-State Voltage vs Collector Current

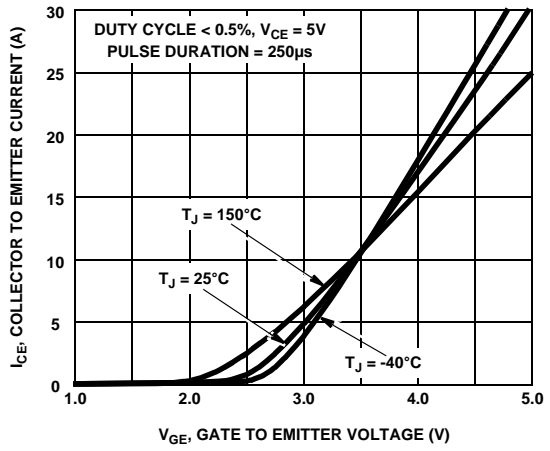


Figure 8. Transfer Characteristics

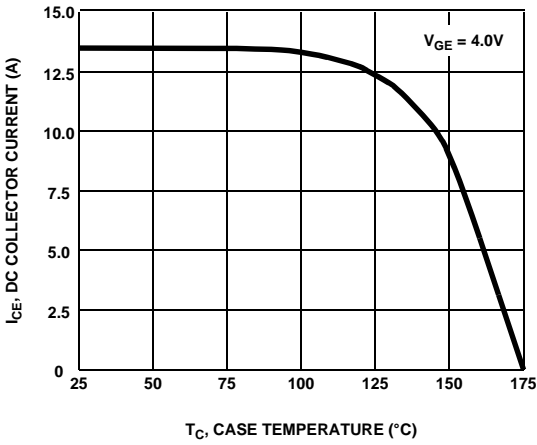


Figure 9. DC Collector Current vs Case Temperature

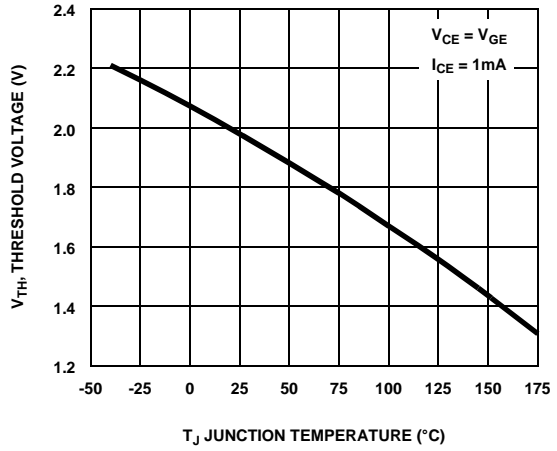


Figure 10. Threshold Voltage vs Junction Temperature

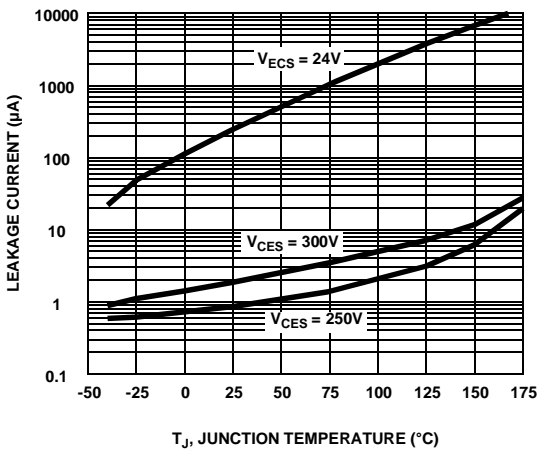


Figure 11. Leakage Current vs Junction Temperature

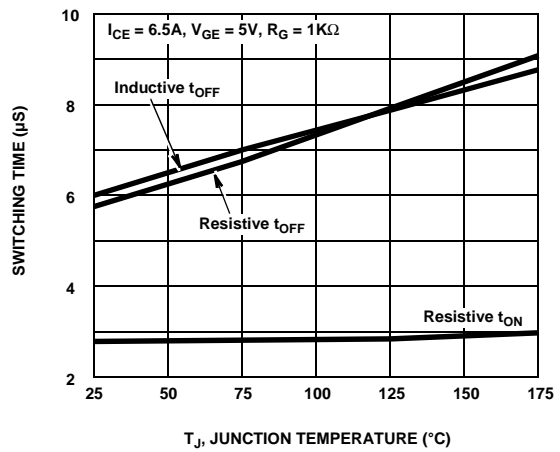


Figure 12. Switching Time vs Junction Temperature

Typical Performance Curves (Continued)

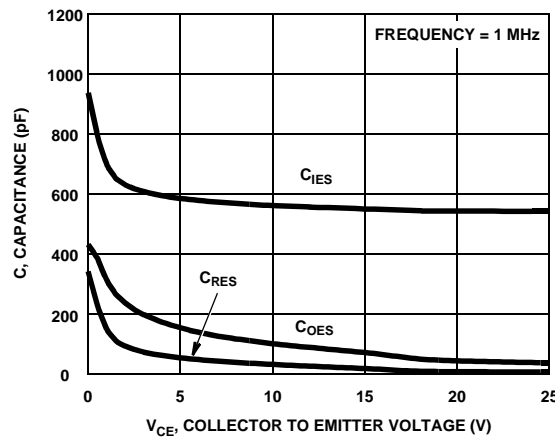


Figure 13. Capacitance vs Collector to Emitter Voltage

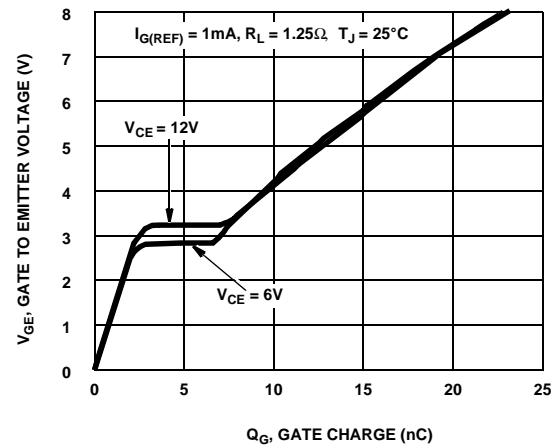


Figure 14. Gate Charge

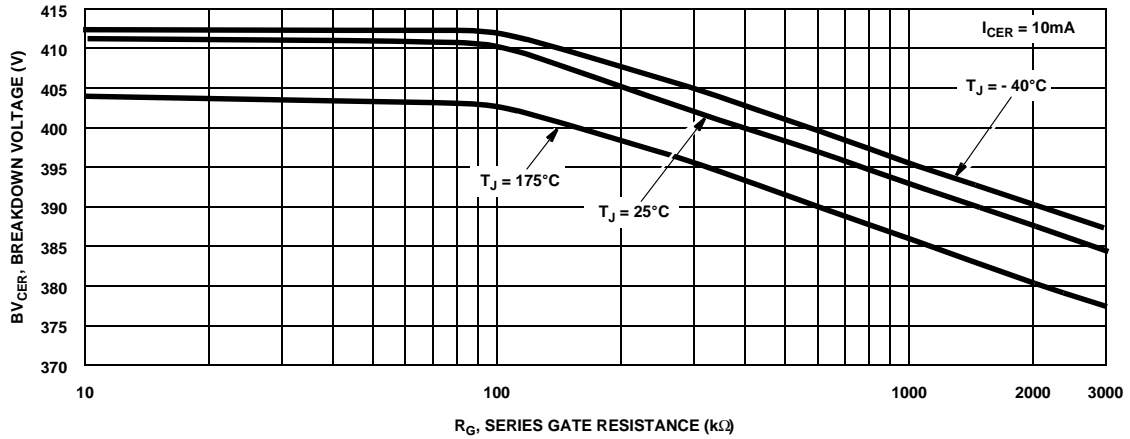


Figure 15. Breakdown Voltage vs Series Gate Resistance

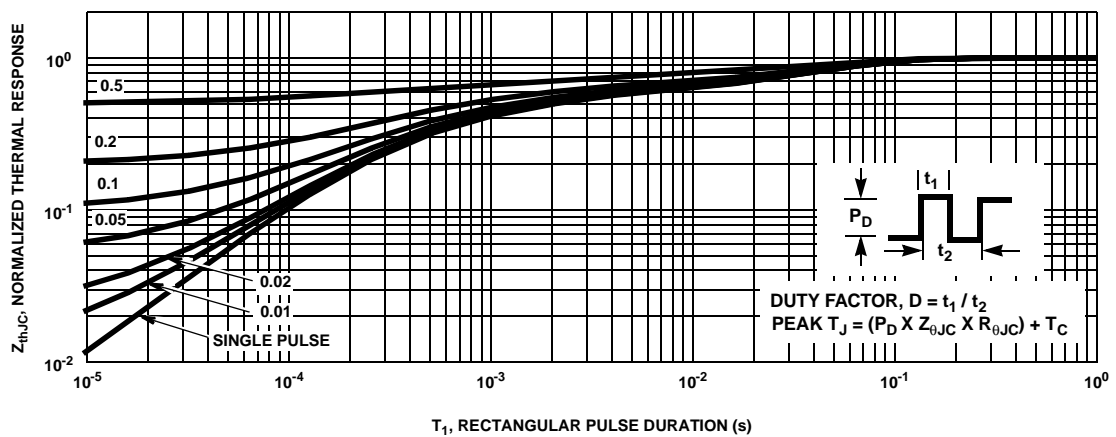


Figure 16. IGBT Normalized Transient Thermal Impedance, Junction to Case

Test Circuit and Waveforms

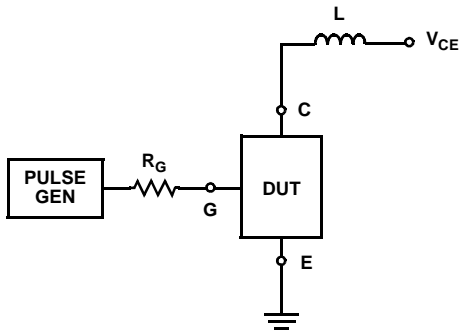


Figure 17. Inductive Switching Test Circuit

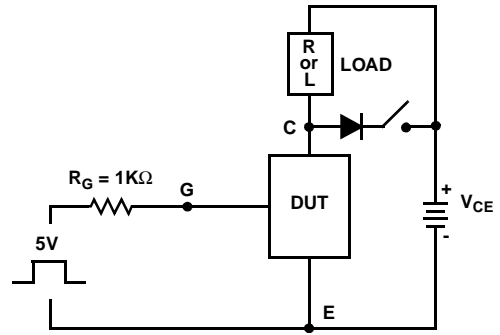


Figure 18. t_{ON} and t_{OFF} Switching Test Circuit

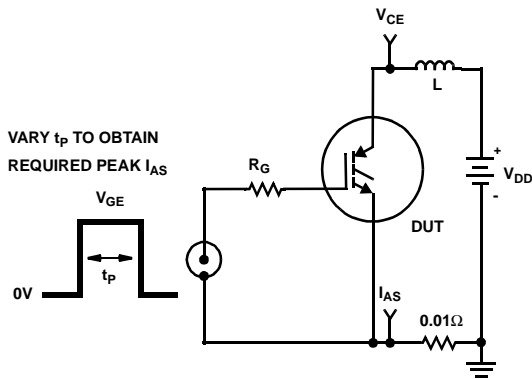


Figure 19. Unclamped Energy Test Circuit

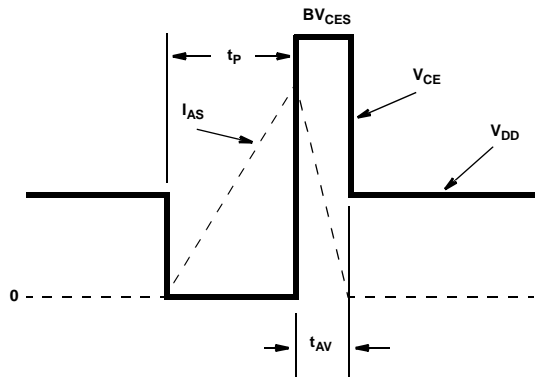


Figure 20. Unclamped Energy Waveforms

SPICE Thermal Model

REV 25 April 2002

ISL9V2040D3S, ISL9V2040S3S, ISL9V2040P3

CTHERM1 th 6 1.3e -2
 CTHERM2 6 5 8.8e -4
 CTHERM3 5 4 8.8e -3
 CTHERM4 4 3 3.9e -1
 CTHERM5 3 2 3.6e -1
 CTHERM6 2 tl 1.9e -1

RTHERM1 th 6 1.2e -1
 RTHERM2 6 5 3.2e -1
 RTHERM3 5 4 1.7e -1
 RTHERM4 4 3 1.2e -1
 RTHERM5 3 2 1.3e -1
 RTHERM6 2 tl 2.5e -1

SABER Thermal Model

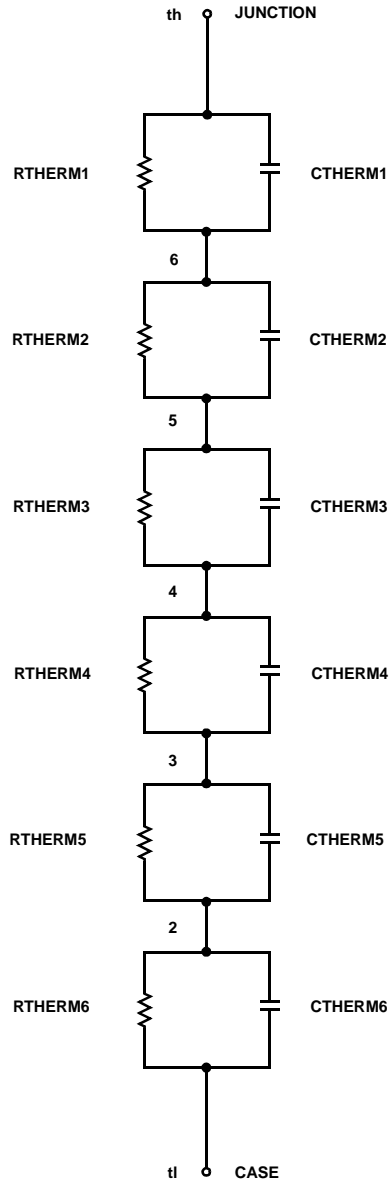
SABER thermal model

ISL9V2040D3S, ISL9V2040S3S, ISL9V2040P3

template thermal_model th tl
 thermal_c th, tl

```
{
    ctherm.ctherm1 th 6 = 1.3e -3
    ctherm.ctherm2 6 5 = 8.8e -4
    ctherm.ctherm3 5 4 = 8.8e -3
    ctherm.ctherm4 4 3 = 3.9e -1
    ctherm.ctherm5 3 2 = 3.6e -1
    ctherm.ctherm6 2 tl = 1.9e -1
```

```
rtherm.rtherm1 th 6 = 1.2e -1
rtherm.rtherm2 6 5 = 3.2e -1
rtherm.rtherm3 5 4 = 1.7e -1
rtherm.rtherm4 4 3 = 1.2e -1
rtherm.rtherm5 3 2 = 1.3e -1
rtherm.rtherm6 2 tl = 2.5e -1
}
```



TRADEMARKS

The following are registered and unregistered trademarks Fairchild Semiconductor owns or is authorized to use and is not intended to be an exhaustive list of all such trademarks.

| | | | | |
|----------------------------------|---------------------------------|---------------------------------|------------------------------|-----------------------|
| ACE _x [™] | FAST [®] | MICROWIRE [™] | SILENT SWITCHER [®] | UHC [™] |
| Bottomless [™] | FAST _r [™] | OPTOLOGIC [®] | SMART START [™] | UltraFET [®] |
| CoolFET [™] | FRFET [™] | OPTOPLANAR [™] | SPM [™] | VCX [™] |
| CROSSVOLT [™] | GlobalOptoisolator [™] | PACMAN [™] | STAR*POWER [™] | |
| DenseTrench [™] | GTO [™] | POP [™] | Stealth [™] | |
| DOME [™] | HiSeC [™] | Power247 [™] | SuperSOT [™] -3 | |
| EcoSPARK [™] | I ² C [™] | PowerTrench [®] | SuperSOT [™] -6 | |
| E ² CMOS [™] | ISOPLANAR [™] | QFET [™] | SuperSOT [™] -8 | |
| EnSigna [™] | LittleFET [™] | QS [™] | SyncFET [™] | |
| FACT [™] | MicroFET [™] | QT Optoelectronics [™] | TinyLogic [™] | |
| FACT Quiet Series [™] | MicroPak [™] | Quiet Series [™] | TruTranslation [™] | |

STAR*POWER is used under license

DISCLAIMER

FAIRCHILD SEMICONDUCTOR RESERVES THE RIGHT TO MAKE CHANGES WITHOUT FURTHER NOTICE TO ANY PRODUCTS HEREIN TO IMPROVE RELIABILITY, FUNCTION OR DESIGN. FAIRCHILD DOES NOT ASSUME ANY LIABILITY ARISING OUT OF THE APPLICATION OR USE OF ANY PRODUCT OR CIRCUIT DESCRIBED HEREIN; NEITHER DOES IT CONVEY ANY LICENSE UNDER ITS PATENT RIGHTS, NOR THE RIGHTS OF OTHERS.

LIFE SUPPORT POLICY

FAIRCHILD'S PRODUCTS ARE NOT AUTHORIZED FOR USE AS CRITICAL COMPONENTS IN LIFE SUPPORT DEVICES OR SYSTEMS WITHOUT THE EXPRESS WRITTEN APPROVAL OF FAIRCHILD SEMICONDUCTOR CORPORATION. As used herein:

1. Life support devices or systems are devices or systems which, (a) are intended for surgical implant into the body, or (b) support or sustain life, or (c) whose failure to perform when properly used in accordance with instructions for use provided in the labeling, can be reasonably expected to result in significant injury to the user.
2. A critical component is any component of a life support device or system whose failure to perform can be reasonably expected to cause the failure of the life support device or system, or to affect its safety or effectiveness.

PRODUCT STATUS DEFINITIONS

Definition of Terms

| Datasheet Identification | Product Status | Definition |
|--------------------------|------------------------|---|
| Advance Information | Formative or In Design | This datasheet contains the design specifications for product development. Specifications may change in any manner without notice. |
| Preliminary | First Production | This datasheet contains preliminary data, and supplementary data will be published at a later date. Fairchild Semiconductor reserves the right to make changes at any time without notice in order to improve design. |
| No Identification Needed | Full Production | This datasheet contains final specifications. Fairchild Semiconductor reserves the right to make changes at any time without notice in order to improve design. |
| Obsolete | Not In Production | This datasheet contains specifications on a product that has been discontinued by Fairchild semiconductor. The datasheet is printed for reference information only. |

This datasheet has been download from:

www.datasheetcatalog.com

Datasheets for electronics components.